

Mounting the detector

- > Choose the place (according to the plans of the project) for the installation of the detector ;
- > Mount the base with appropriate fixings ;
- > Connect the electrical cables according to the attached diagram (Figure 1);
- > Place the detector base and rotate clockwise till matching markers;
- > If you want to lock detector ::
- > Pre remove the key from the base (Figure 2).
- > Break the plastic at the specified location on the bottom of the sensor (Figure 3).
- > Place the detector base and rotate it .
- > If the detector is locked to the base, to unlock it , insert first the key to the specified location (Fig. 4) and rotate the detector counterclockwise;
- > Test the detector to check the correct operation of the LED indication;
- > During normal operation, the LEDs blink for 16 seconds.

Technical Specifications

Supply Voltage	9-30 V DC
Power consumption in Duty condition	≤ 130 QA
Consumption in " Fire " condition	20 mA/ 24V DC
Restricting output resistor	2kΩ
Degree of protection	IP 40
Cross section of the connecting wire	0,4+2,0 mm ²
Operating temperature range	10°C ÷ 50°C
Humidity	(93 ± 3)% при 25°C
Dimensions with base	f 100mm h ≤ 52mm
Weight	≤ 100g

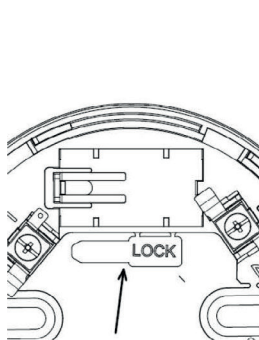
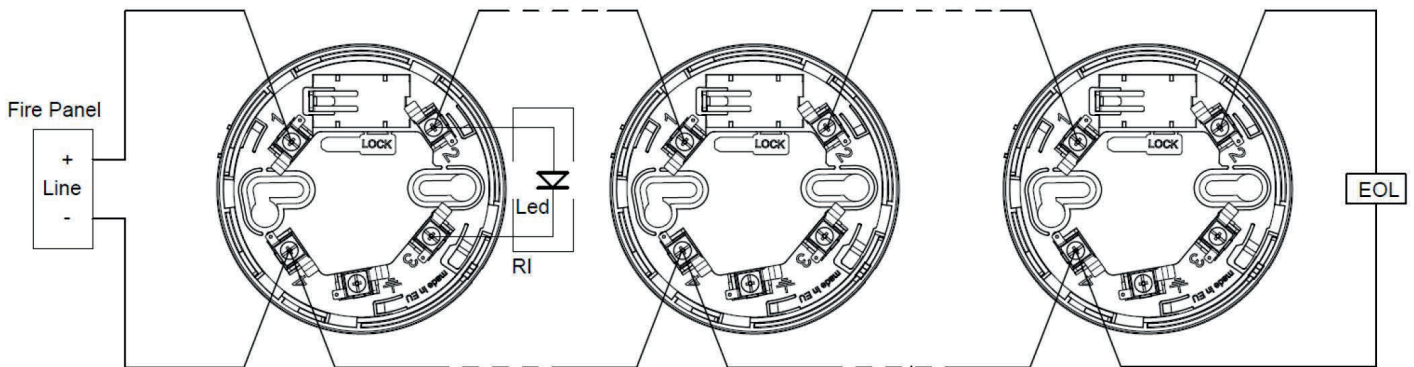


Fig.2

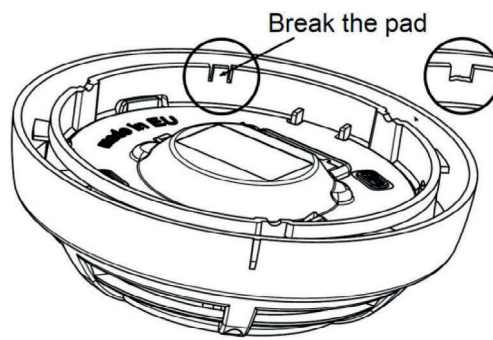


Fig.3

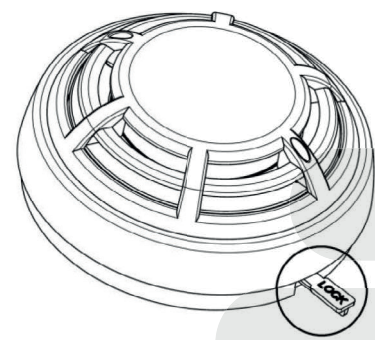


Fig.4

Testing and Maintenance

Testing

- > Apply power;
- > Wait about a minute or until the detector begins to blink;
- > Operate the detector test spray and / or temperature sonda. The two red LEDs must illuminate permanently.

Service maintenance

- > Visual inspection for mechanical damage and pollution (once a year)
- > Verification of performance (once a year)
- > Prophylactic cleaning (depending on the environment in which it is located).

Optical detectors SF109/SF409 are software tested and when the detector is contaminated, it is signaled by flashing LEDs for 2 seconds to 2 seconds .

SF109/SF209/SF409 detectors are compatible with all conventional power plants, that have met the requirements of a standards EN54.

Warranty obligations

The manufacturer guarantees the conformity of the device with standards EN 54-5 and EN54-7. The warranty period is 24 months from the date of sale , provided that:

- > the conditions of storage and transport have been followed;
- > release is performed by authorized persons;
- > the requirements for operation stated in this instruction have been abode.
- > defects are not caused by natural phenomena and accidents of the plug socket.

When there is the need of warranty repair , please contact us by phone or email to give you guidelines for the warranty obligations of the company. Repairs are carried out in the company's service company.